

RM12-260DC Deep Cycle Battery

Technical Specifications

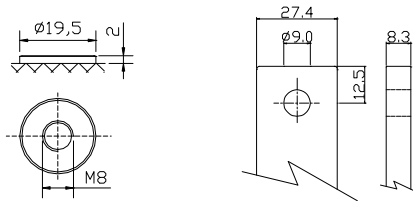
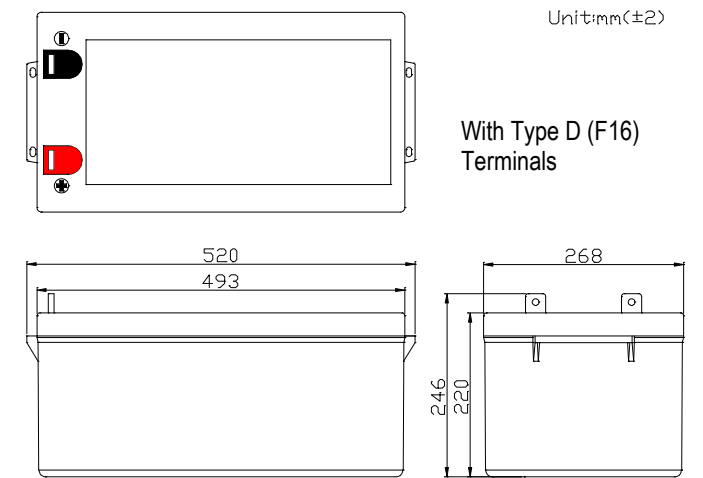
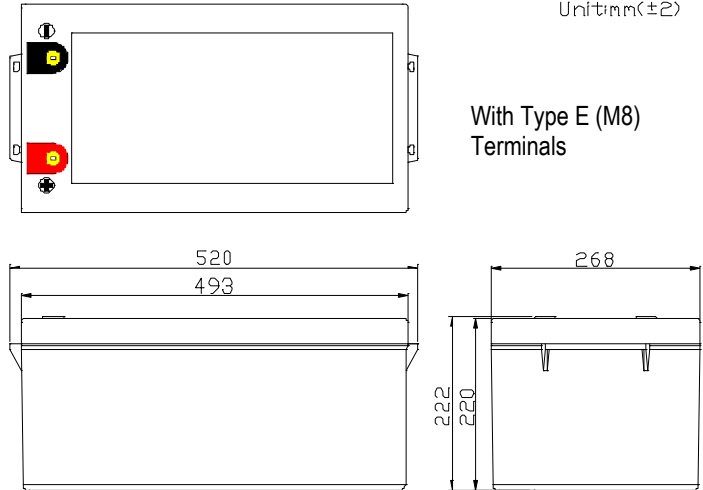
Nominal Voltage	12V
Nominal Capacity	260.0AH(20HR)
Dimension	
Length	20.47inches(520mm)
Width	10.55inches(268mm)
Height	8.66inches(220mm)
Total Height /w Terminal	8.74inches(222mm)
Weight	Approx 163.6lb(74.4kg)
Standard terminal	Type E (M8) or D (F16)

Capacity Specifications

Cut Off Voltage		
1.75v/c@25°C	20H Rate(13A)	260AH
1.75v/c@25°C	10H Rate(24.8A)	248AH
1.75v/c@25°C	5H Rate(43.6A)	218AH
1.67v/c@25°C	1H Rate(169A)	169AH
1.67v/c@25°C	30Min Rate(270A)	135AH

Charging Specifications

	Bloc	
Charge Voltage(constant)	Float	13.5~13.8
	Cycle	14.4~14.7
Internal Resistance (Fully Charged Battery)	< 2.3mΩ	
Discharge Current Amps (5 seconds maximum)	2600	
Max. Charge Current	78.0A	
Self Discharge	6 Months@25°C	



Type E (M8) Terminals Type D (F16) Terminals



Actual Current & Wattage Capacity at Various Discharges (Voltage @25°C)

Final Voltage	Time (minutes)											
		5	10	15	30	45	60	180	300	480	600	1200
9.6V	A	/	523.9	420.0	284.6	215.9	178.1	70.9	46.2	31.6	26.4	13.5
	W	/	5768.0	4796.5	3215.3	2444.7	1952.7	817.8	544.8	375.9	311.9	166.6
10.02V	A	/	501.4	399.9	270.0	207.6	169.0	69.1	45.1	31.1	25.9	13.4
	W	/	5561.9	4593.3	3106.2	2372.6	1912.6	806.6	539.0	370.9	309.0	163.5
10.2V	A	/	478.9	384.8	259.6	198.3	162.4	68.0	44.6	30.8	25.5	13.3
	W	/	5350.9	4420.0	3007.6	2302.6	1856.2	788.2	531.5	368.3	306.6	161.7
10.5V	A	/	451.1	365.8	246.7	189.8	155.1	66.3	43.6	30.1	24.8	13.0
	W	/	5112.4	4252.3	2912.2	2219.4	1801.5	770.3	520.0	362.5	301.1	158.1
10.8V	A	/	422.9	344.5	235.1	181.2	148.1	63.9	42.4	29.0	24.2	12.8
	W	/	4852.1	4053.5	2774.8	2159.9	1761.3	753.2	508.4	354.8	294.3	153.8