

RM12-260 General Purpose Battery

Technical Specifications

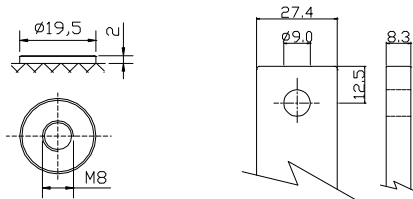
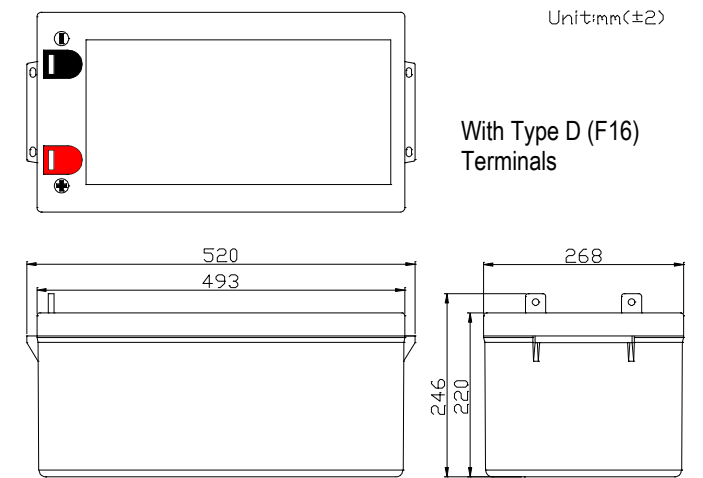
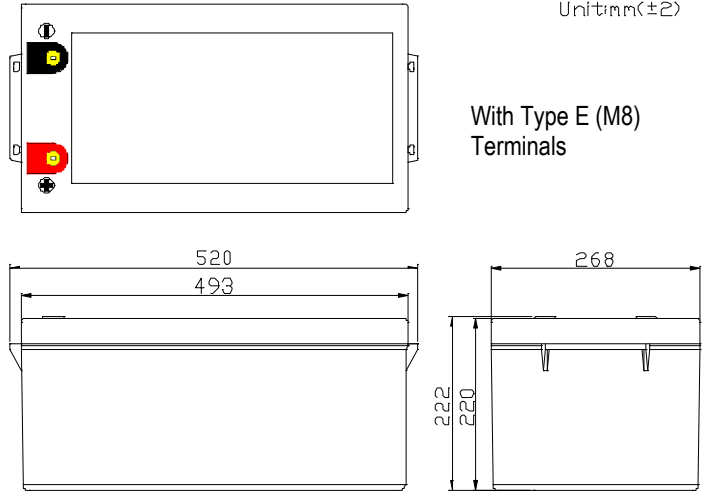
Nominal Voltage	12V
Nominal Capacity	260.0AH(20HR)
Dimension	
Length	20.47inches(520mm)
Width	10.55inches(268mm)
Height	8.66inches(220mm)
Total Height /w Terminal	8.74inches(222mm)
Weight	Approx 163.6lb(74.4kg)
Standard terminal	Type E (M8) or D (F16)

Capacity Specifications

Cut Off Voltage		
1.75v/c@25°C	20H Rate(13A)	260AH
1.75v/c@25°C	10H Rate(24.8A)	248AH
1.75v/c@25°C	5H Rate(43.6A)	218AH
1.67v/c@25°C	1H Rate(171A)	171AH
1.67v/c@25°C	15Min Rate(408A)	102AH

Charging Specifications

	Bloc	
Charge Voltage(constant)	Float	13.5~13.8
	Cycle	14.4~14.7
Internal Resistance (Fully Charged Battery)	< 2.3mΩ	
Discharge Current Amps (5 seconds maximum)	2600	
Max. Charge Current	78.0A	
Self Discharge	6 Months@25°C	



Type E (M8) Terminals Type D (F16) Terminals



Actual Current & Wattage Capacity at Various Discharges (Voltage @25°C)

Final Voltage	Time (minutes)											
		5	10	15	30	45	60	180	300	480	600	1200
9.6V	A	/	534.6	428.5	290.4	220.3	179.9	71.6	46.2	31.6	26.36	13.54
	W	/	5885.7	4894.4	3281.0	2494.6	1972.4	826.0	544.8	375.9	311.89	166.59
10.02V	A	/	511.7	408.0	276.1	211.8	171.0	69.8	45.1	31.1	25.89	13.40
	W	/	5675.4	4687.1	3169.6	2421.0	1932.0	814.7	539.0	370.9	309.03	163.53
10.2V	A	/	488.7	392.6	264.9	202.3	164.1	68.7	44.6	30.8	25.53	13.31
	W	/	5460.1	4510.2	3069.0	2349.6	1875.0	796.2	531.5	368.3	306.62	161.74
10.5V	A	/	460.3	373.3	251.8	193.6	156.7	67.0	43.6	30.1	24.80	13.00
	W	/	5216.7	4339.1	2971.7	2264.6	1819.7	778.0	520.0	362.5	301.05	158.08
10.8V	A	/	431.5	351.6	239.9	184.9	149.6	64.6	42.4	29.0	24.21	12.81
	W	/	4951.1	4136.2	2831.4	2203.9	1779.1	760.9	508.4	354.8	294.31	153.78